

Stabil D-3G

Group: 1240

Application

For installation of pipes required for all M&E services in industrial, residential and public buildings.

Scope of delivery

Sizes 15 to 129 mm are equipped with welded nuts for the clamping bolts. On the joint side, the clamping bolt is pre-assembled; the clamping bolt on the opposite side is mounted into the bore hole and retained by a plastic washer, thus preventing any accidental unscrewing.

For sizes 133 and larger the clamping bolts and the required nuts are supplied in loose form.

With welded in 3G triple thread nut; without sound absorption lining. For further adapter-based connection options via the external thread of the 3G triple thread nut, see product "Adapter AD f/f" (this chapter).

Installation

FM size range 1" to 4" is approved with \geq M10 only.

For FM applications use M10 only.

For VdS applications use M10 only if size is $>2"$ to 4".

Technical Data

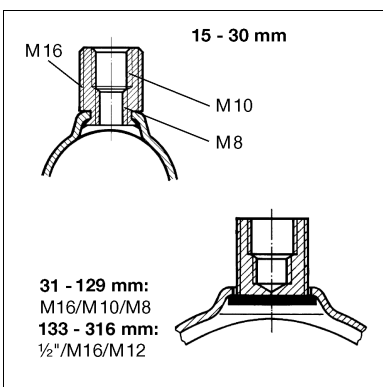
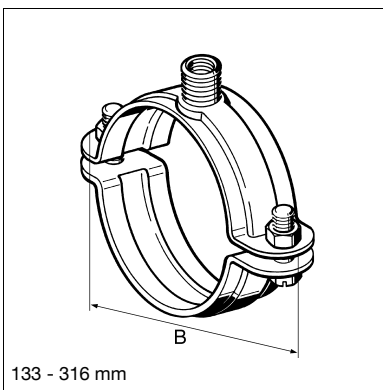
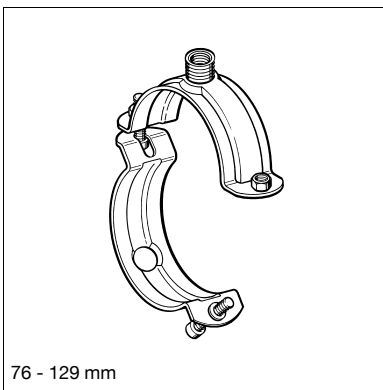
Size [mm]	Working load (tension)
15 - 30	2.0 kN
31 - 129	5.0 kN
133 - 173	8.0 kN
176 - 316	12.5 kN

Material: Steel, electro-galvanised

Approvals / Conformity

VdS-Approval No. G4920027, * = FM Approval (another pipe clamp with FM Approval is: Stabil D-M16)

For the size ranges of 76 - 81 up to 124 - 129 two connection variants are temporarily available. For an approval-compliant (FM and VdS) installation of this sizes, for the size range 219 - 225 the thread connections M10 or M16 have to be used.



Size range [mm]	NB	Material W x th [mm]	Thread connection	B [mm]	W [kg]	Quantity [pack]	Part number
15 - 19	3/8"	25 x 2.0	M16/M10/M8	57	0.07	50	107705
20 - 24	1/2"	25 x 2.0	M16/M10/M8	63	0.08	50	107714
25 - 30	3/4"	25 x 2.0	M16/M10/M8	69	0.08	50	107723
31 - 35 *	1"	30 x 2.5	M16/M10/M8	74	0.12	50	107015
40 - 45 *	1 1/4"	30 x 2.5	M16/M10/M8	85	0.13	50	107024
48 - 53 *	1 1/2"	30 x 2.5	M16/M10/M8	94	0.15	50	107033
54 - 59 *		30 x 2.5	M16/M10/M8	101	0.16	50	107042
60 - 65 *	2"	30 x 2.5	M16/M10/M8	108	0.17	50	107051
67 - 72 *		30 x 2.5	M16/M10/M8	114	0.18	50	107060
76 - 81 M *	2 1/2"	30 x 3.0	M16/M10/M8	137	0.28	25	115759
82 - 87 M *		30 x 3.0	M16/M10/M8	143	0.29	25	115761
88 - 93 M *	3"	30 x 3.0	M16/M10/M8	149	0.31	25	115762
102 - 108 M *		30 x 3.0	M16/M10/M8	163	0.34	25	115763
110 - 116 M *	4"	30 x 3.0	M16/M10/M8	171	0.36	25	115764
124 - 129 M *		30 x 3.0	M16/M10/M8	184	0.39	25	115766
133 - 140 *		40 x 4.0	1/2"/M16/M12	210	0.74	10	107130
140 - 148 *	5"	40 x 4.0	1/2"/M16/M12	218	0.76	10	115885
149 - 155 *		40 x 4.0	1/2"/M16/M12	225	0.81	10	107149
159 - 165 *		40 x 4.0	1/2"/M16/M12	235	0.82	10	107158
167 - 173 *	6"	40 x 4.0	1/2"/M16/M12	243	0.85	10	107167
176 - 184		40 x 4.0	1/2"/M16/M12	255	0.95	10	107176
188 - 194		40 x 4.0	1/2"/M16/M12	265	0.98	10	107185
199 - 205		40 x 4.0	1/2"/M16/M12	276	1.03	10	107194
207 - 216		40 x 4.0	1/2"/M16/M12	287	1.07	10	148939
219 - 225	8"	40 x 4.0	1/2"/M16/M12	296	1.11	10	107200
244 - 250		40 x 4.0	1/2"/M16/M12	321	1.23	10	107219
267 - 273	10"	40 x 4.0	1/2"/M16/M12	344	1.25	10	107228
278 - 284		40 x 4.0	1/2"/M16/M12	355	1.35	10	107237
297 - 303		40 x 4.0	1/2"/M16/M12	374	1.42	10	107246
310 - 316		40 x 4.0	1/2"/M16/M12	387	1.47	10	147600